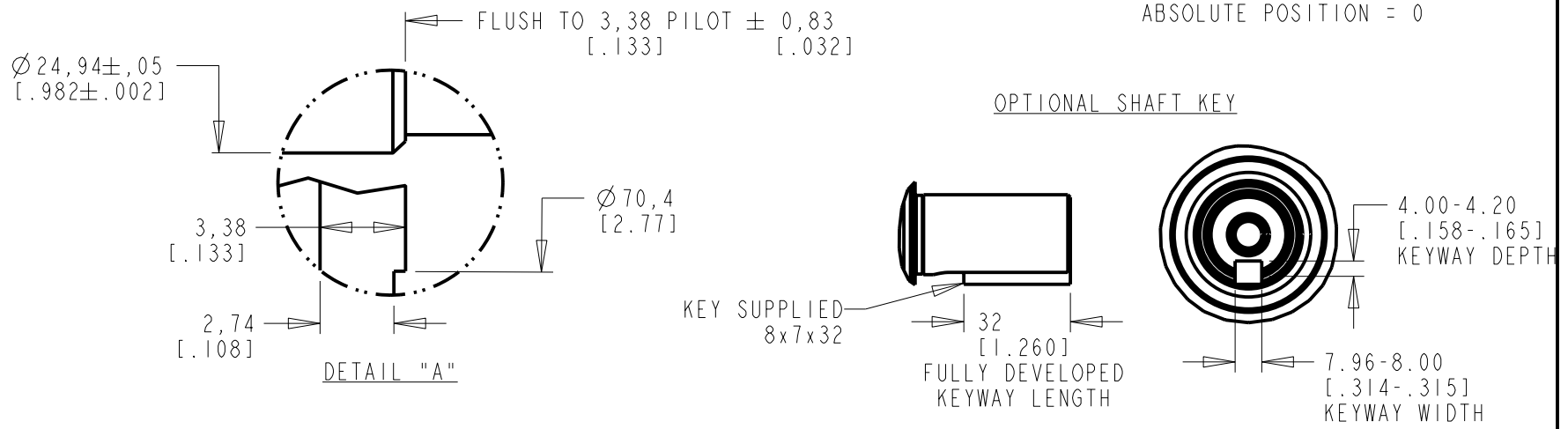


MODEL	LB	LD	LE
MPL-B4530	227,1 [8.94]	201,4 [7.93]	161,3 [6.35]
MPL-B4540	252,5 [9.94]	226,8 [8.93]	186,7 [7.35]
MPL-B4560	303,3 [11.94]	277,6 [10.93]	237,5 [9.35]
MPM-B1302	227,1 [8.94]	201,4 [7.93]	161,3 [6.35]
MPM-B1304	277,9 [10.94]	252,2 [9.93]	212,1 [8.35]

PIN-OUT ENCODER CONNECTOR	
PIN	FUNCTION
1	SIN +
2	SIN -
3	COS +
4	COS -
5	DATA +
6	DATA -
7-8	-
9-10	-
11	EPWR 9V
12	ECOM
13	TS +
14	TS -
15-17	-

PIN-OUT POWER CONNECTOR	
PIN	FUNCTION
A	U
B	V
C	W
⊕	GND
E	-
F	MBRK+
G	MBRK-
H	-
L	-



NOTE:

- .DXF FILE OF THIS DRAWING MUST BE SCALED TO LENGTH, SEE CHART ABOVE. MODEL SHOWN IS MPL-B4540x-xx74AA.
- 3D STEP (.stp) FILES AVAILABLE AT ALL LENGTHS.
- THIS DRAWING COVERS SINGLE AND MULTI-TURN ABSOLUTE ENCODER MODELS (i.e., MPx-Bxxxx-Mx74AA and MPx-Bxxxx-Sx74AA).

REFERENCES		DESCRIPTION	CAD DOCUMENT	
VERSION	UNLESS OTHERWISE SPECIFIED	ESM, MPL-B45xxx-xx74AA; MPM-B130xx-xx74AA	Allen-Bradley 	
01	DO NOT SCALE DRAWING DIMENSIONS ARE IN MILLIMETERS WITH INCHES REFERENCED [X] UNTOLERANCED DIMENSIONS ARE REFERENCE 3RD ANGLE PROJECTION			
		DR. WKG	DATE 2/7/08	SHEET 1 OF 1
		DXF 2D OR STEP 3D FILE AVAILABLE		DWG. SIZE B
				DOCUMENT NUMBER 10000014306